

# Indoor Rental LED Display Screen

MW77XX-RI



MW77XX-RI Indoor Rental LED Display Screen

## Features

- Advanced grayscale gives detailed and realistic images.
- High refresh rate, high brightness, no glare, better viewing experience.
- Seamlessly splice images without black lines on the screen.
- Slim and light die-cast aluminum cabinet.
- Modular installation with a magnetic suction tool, simple and stylish appearance, easy installation.
- Quick lock design for quick installation with only one person.
- Front/rear maintenance.
- Power supply with a wide input voltage range, strong adaptability.
- Long lifetime.
- Low heat, excellent heat dissipation, no noise.
- Low failure rate and maintenance cost.
- Ultra-wide viewing angle ensures satisfactory viewing experience from diversified angles.

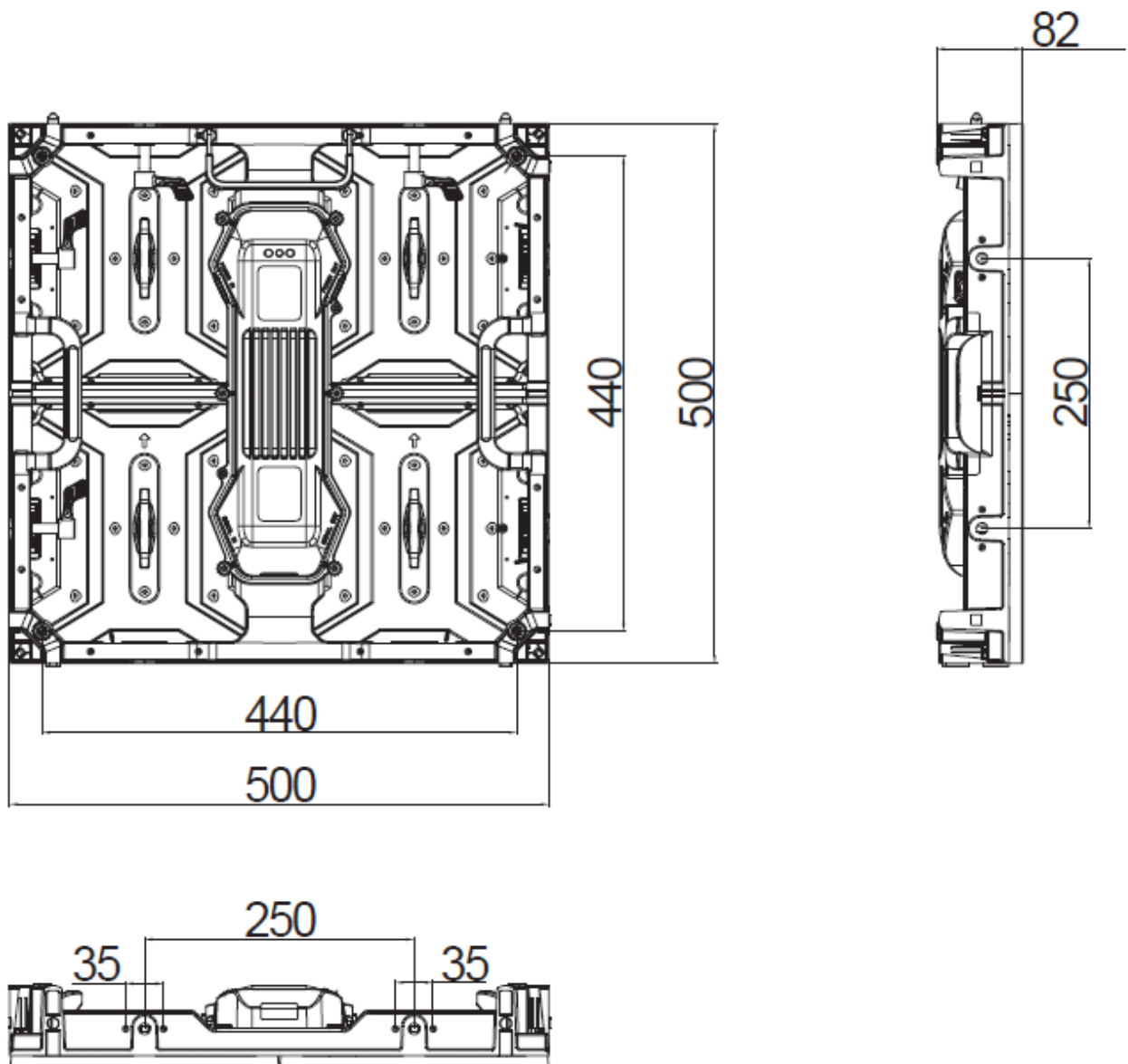
## Specifications

Model	MW7719-RI	MW7726-RI	MW7729-RI	MW7739-RI
<b>Module</b>				
Pixel pitch	P1.9	P2.6	P2.9	P3.9
Resolution (W*H)	128*128	96*96	84*84	64*64
Dimensions (mm)	250*250			
<b>Cabinet</b>				
Dimensions (mm)	500*500*82			
Resolution (W*H)	256*256	192*192	168*168	128*128
Weight (kg/pcs)	6			
Pixel density (pitch/m <sup>2</sup> )	262144	147456	112896	65536
Material	Die-cast aluminum			
<b>Optical</b>				
Brightness (nits)	800			
Contrast ratio	3000:1			
Color temperature (K)	2000 to 9300			
Viewing angle (H/V)	160°/120°			
<b>Processing performance</b>				
Grayscale (bit)	14			
Scan (S)	32	32	21	16
Refresh rate (Hz)	3840			
Single pixel brightness correction	Support			
Single pixel color correction	Support			
Center distance deviation of LED	<3%			
Brightness uniformity	≥95%			
Color uniformity (Cx,Cy)	±0.003			
<b>Electrical</b>				
Average power consumption (W/m <sup>2</sup> )	150	180	180	180
Max. power consumption (W/m <sup>2</sup> )	450	520	520	520
Power supply (V)	AC 100 to 240			
Drive mode	Constant current driving			
<b>General</b>				
Maintenance mode	Front/rear maintenance			
Ingress protection	Front/rear: IP30			
Operating temperature	-10°C to 40°C			
Operating humidity	10% to 90% RH non-condensing			

Storage temperature	-20°C to 60°C
Storage humidity	10% to 95% RH non-condensing
LED lifetime (h)	100000
Certifications	RoHS

## Appearance

## Dimensions



## Order Information

Model	Remarks
MW7719-RI	Indoor Rental LED Display Screen
MW7726-RI	Indoor Rental LED Display Screen
MW7729-RI	Indoor Rental LED Display Screen
MW7739-RI	Indoor Rental LED Display Screen

**Zhejiang Uniview Technologies Co., Ltd.**

Building No.10, Wanlun Science Park, Jiangling Road 88, Binjiang District, Hangzhou, Zhejiang, China

Email: [overseasbusiness@uniview.com](mailto:overseasbusiness@uniview.com); [globalsupport@uniview.com](mailto:globalsupport@uniview.com)

<http://www.uniview.com>

©2022 Zhejiang Uniview Technologies Co., Ltd. All rights reserved.

\* Product specifications and availability are subject to change without notice.